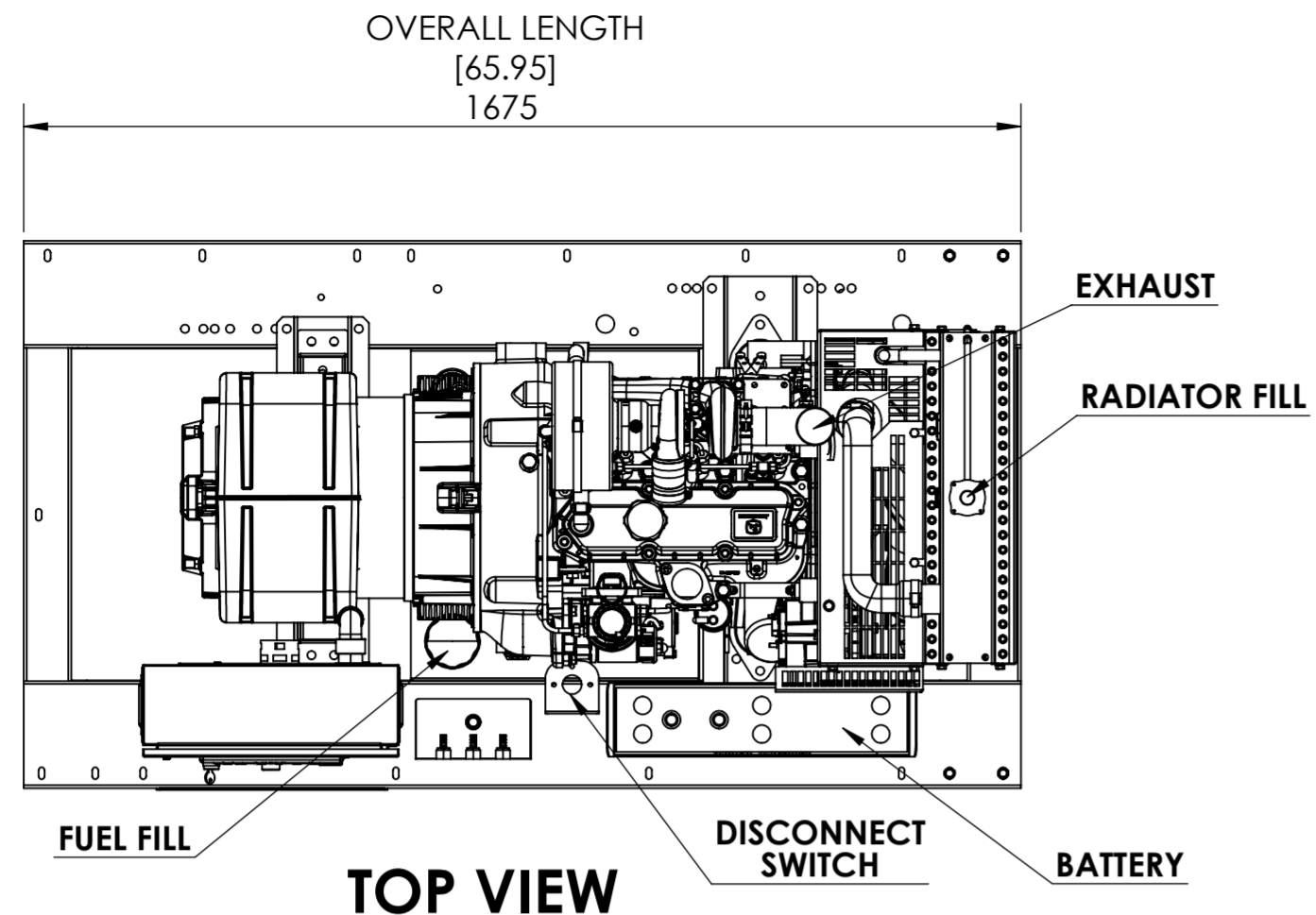
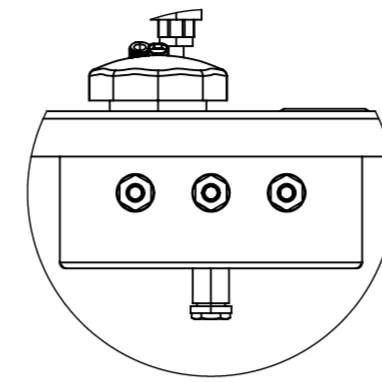


1 2 3 4 5 6 7 8 9 10 11 12

A  
B  
C  
D  
E  
F  
G  
H

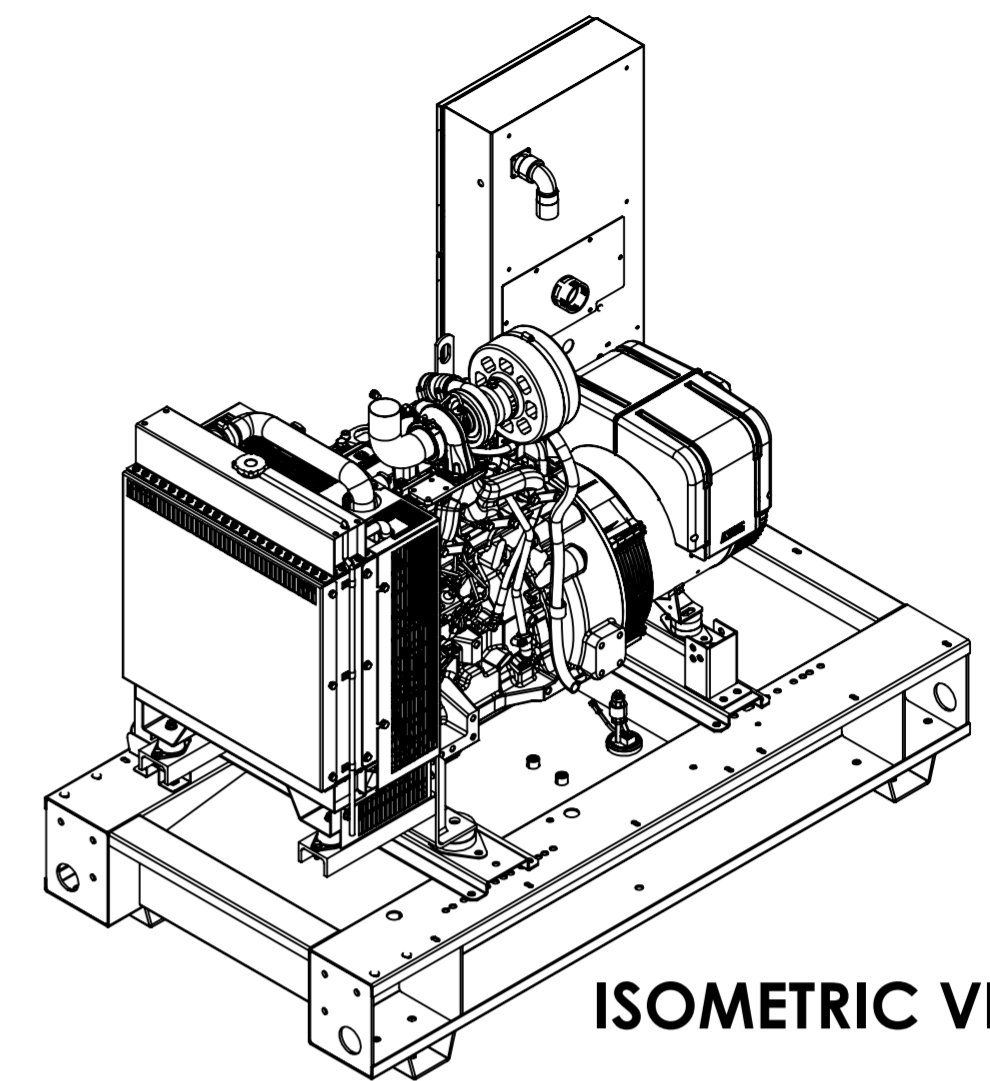


**TOP VIEW**

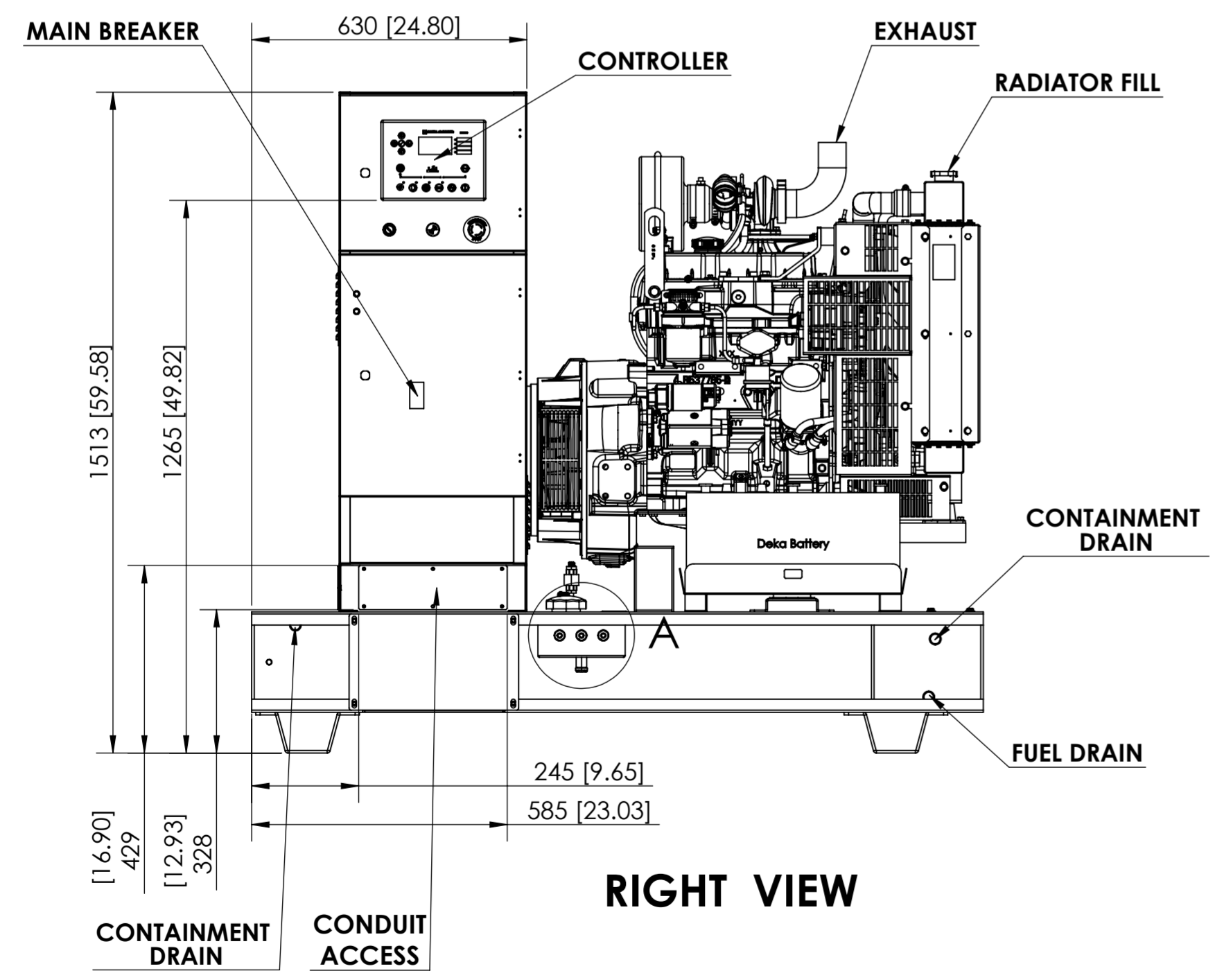


**DETAIL A**  
SCALE 1 : 5

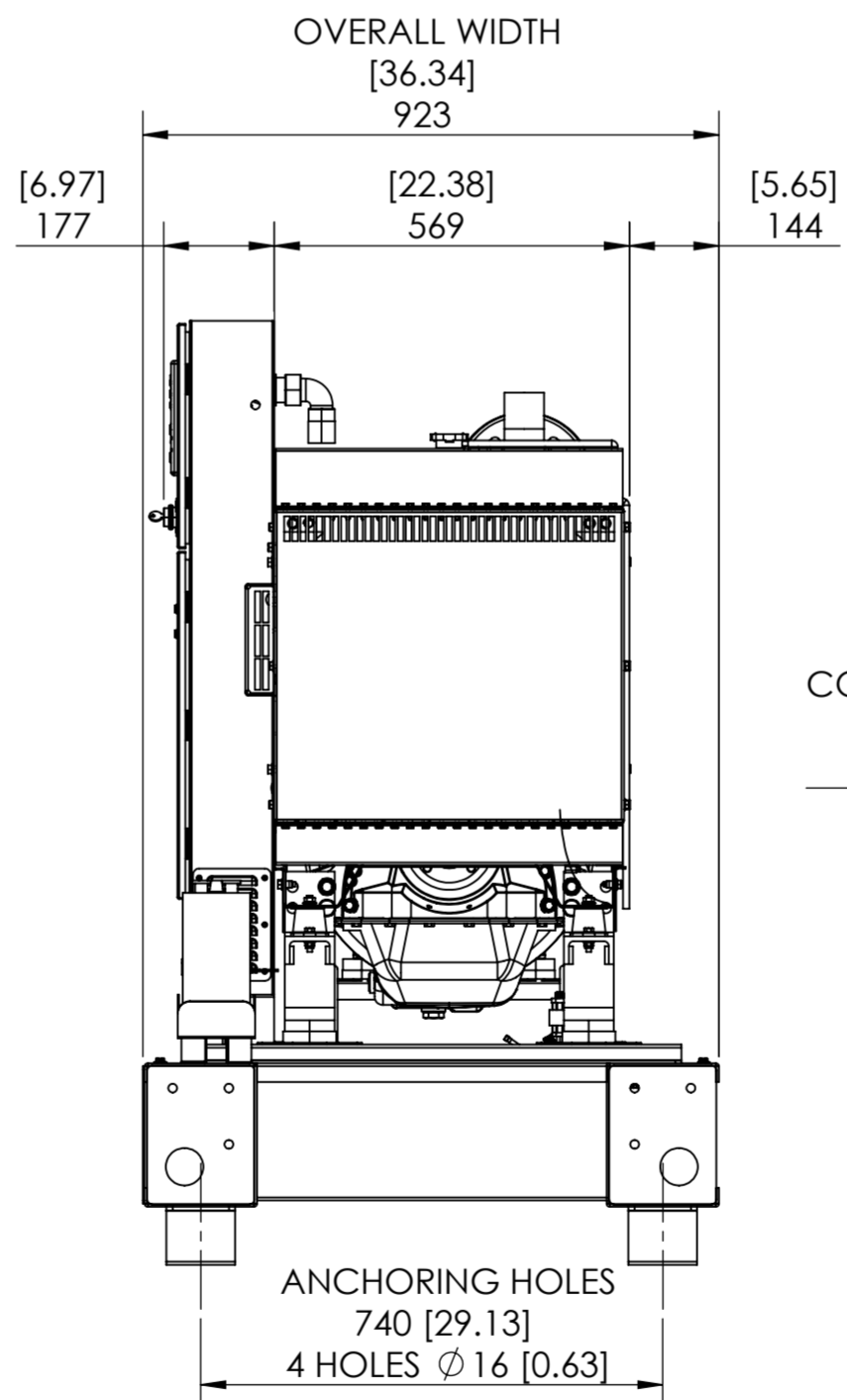
**NOTE:**  
A: EXTERNAL OIL DRAIN  
B: EXTERNAL FUEL SUPPLY (OPTION)  
C: EXTERNAL FUEL RETURN (OPTION)



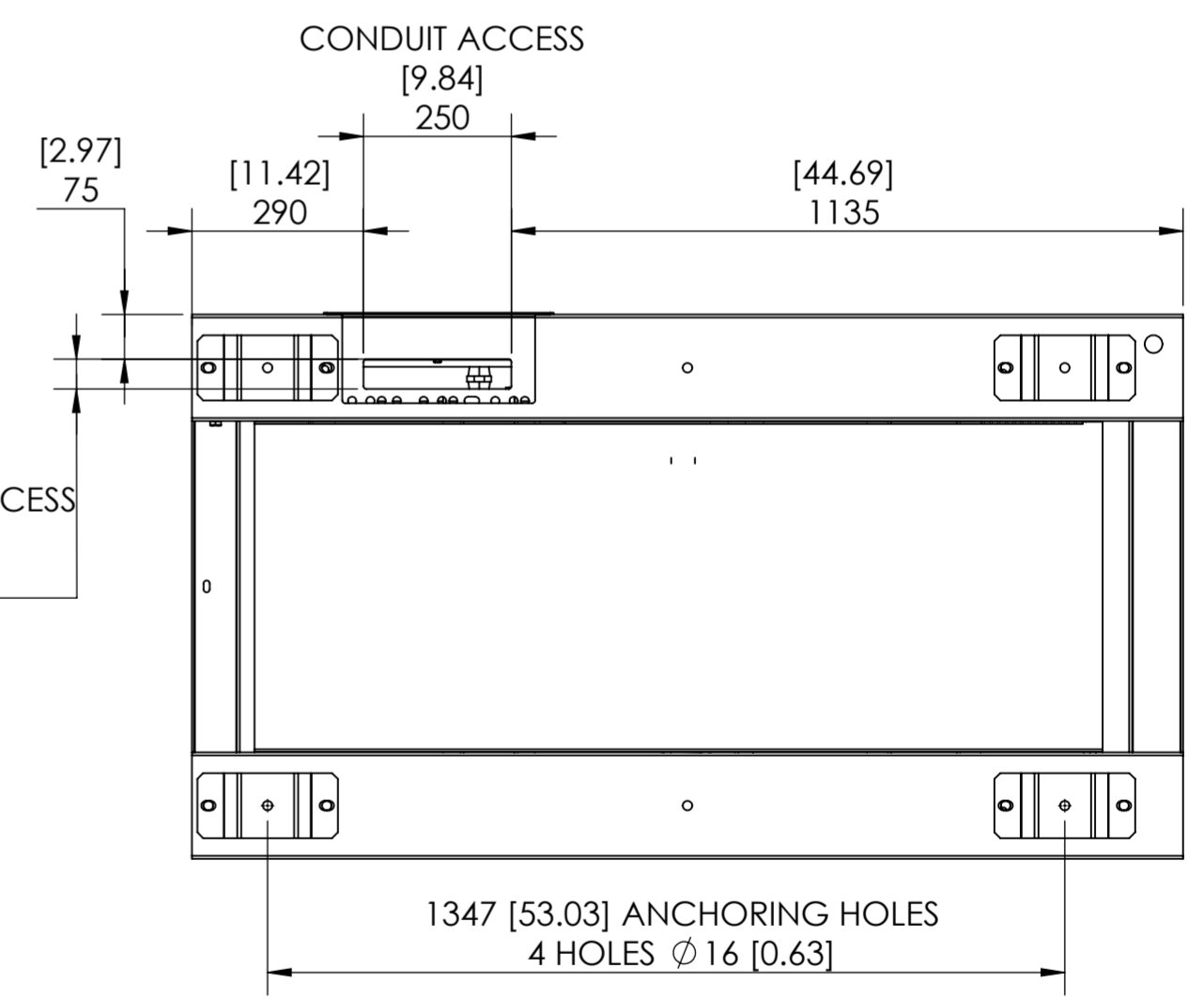
**ISOMETRIC VIEW**



**RIGHT VIEW**



**FRONT VIEW**



**BOTTOM VIEW**

Material:		This drawing and any information or descriptive material set out on it are the confidential and copyright property of General Power Limited Inc. and MUST NOT BE DISCLOSED, COPIED, LOANED in whole or part or used for any purpose without the written permission of General Power Limited Inc.		Description: <b>GP-3029-I-V2-GP-J30-60E4i OPEN SKID</b>	
Finish:		Document Type:		Drawn by:	
Unless Otherwise Stated: Linear Tol.: $\pm 0.2$ Angular Tol.: $0^{\circ}15'$ Surface Finish: $0.8\mu m$ All Dimensions: mm		Drawing Scale: <b>1:20</b>		Checked/Approved by:	
Approx Weight: Kg		Drawing Produced In Accordance With: ASME/ANSI Y14.5-M-1994		Checked/Approved Date:	
Projection Method: <b>THIRD ANGLE</b>		Sheet Size: <b>A2</b>		Part Number:	
				Drawing Number:	
		Legal Owner: General Power Limited Inc. 9930 NW 21 St Street Miami Florida 33172 USA 1-800-763-0359 www.genpowerusa.com		Sheet: <b>1 of 1</b>	
				Revision:	

1 2 3 4 5 6 7 8 9 10 11 12