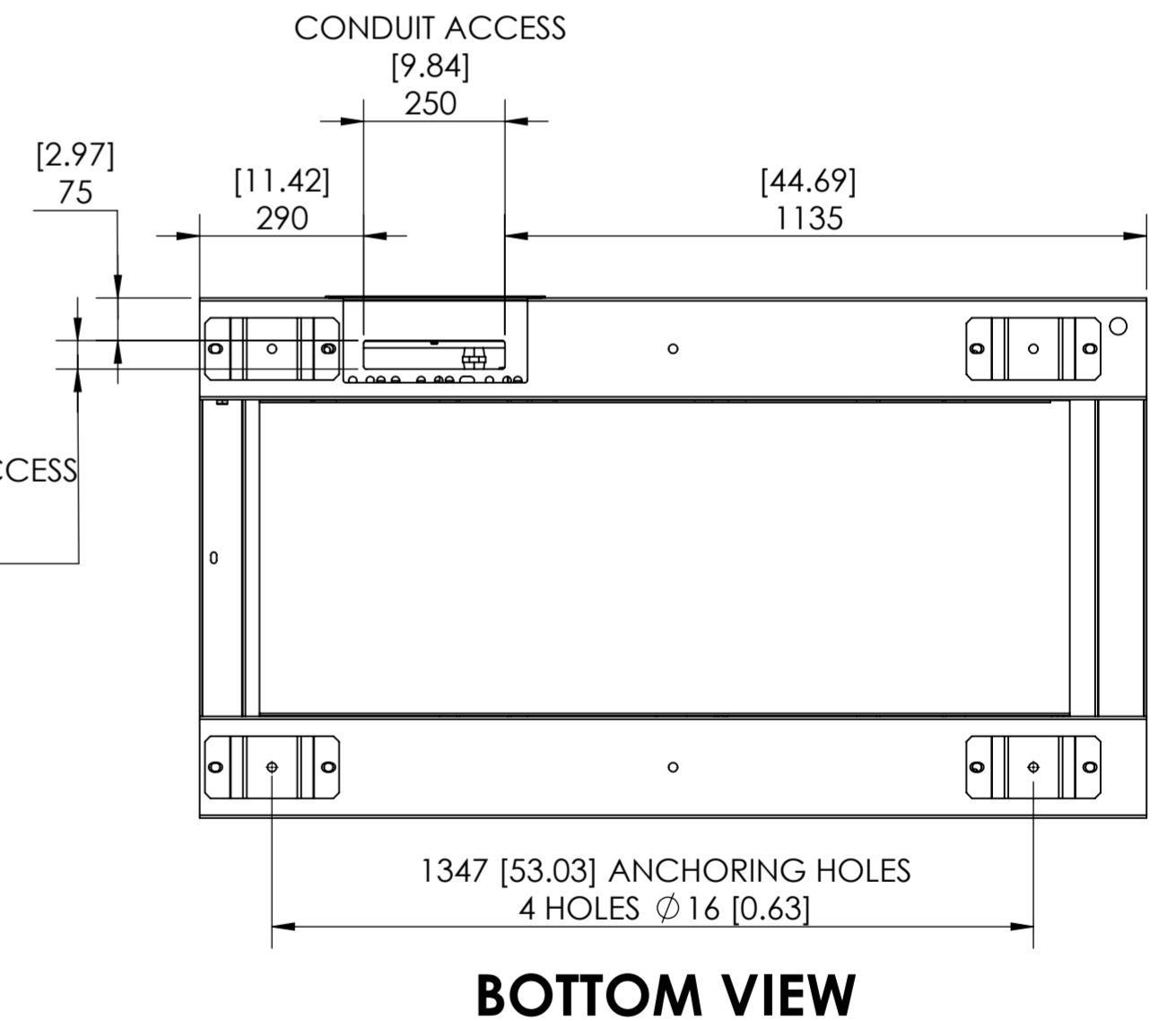
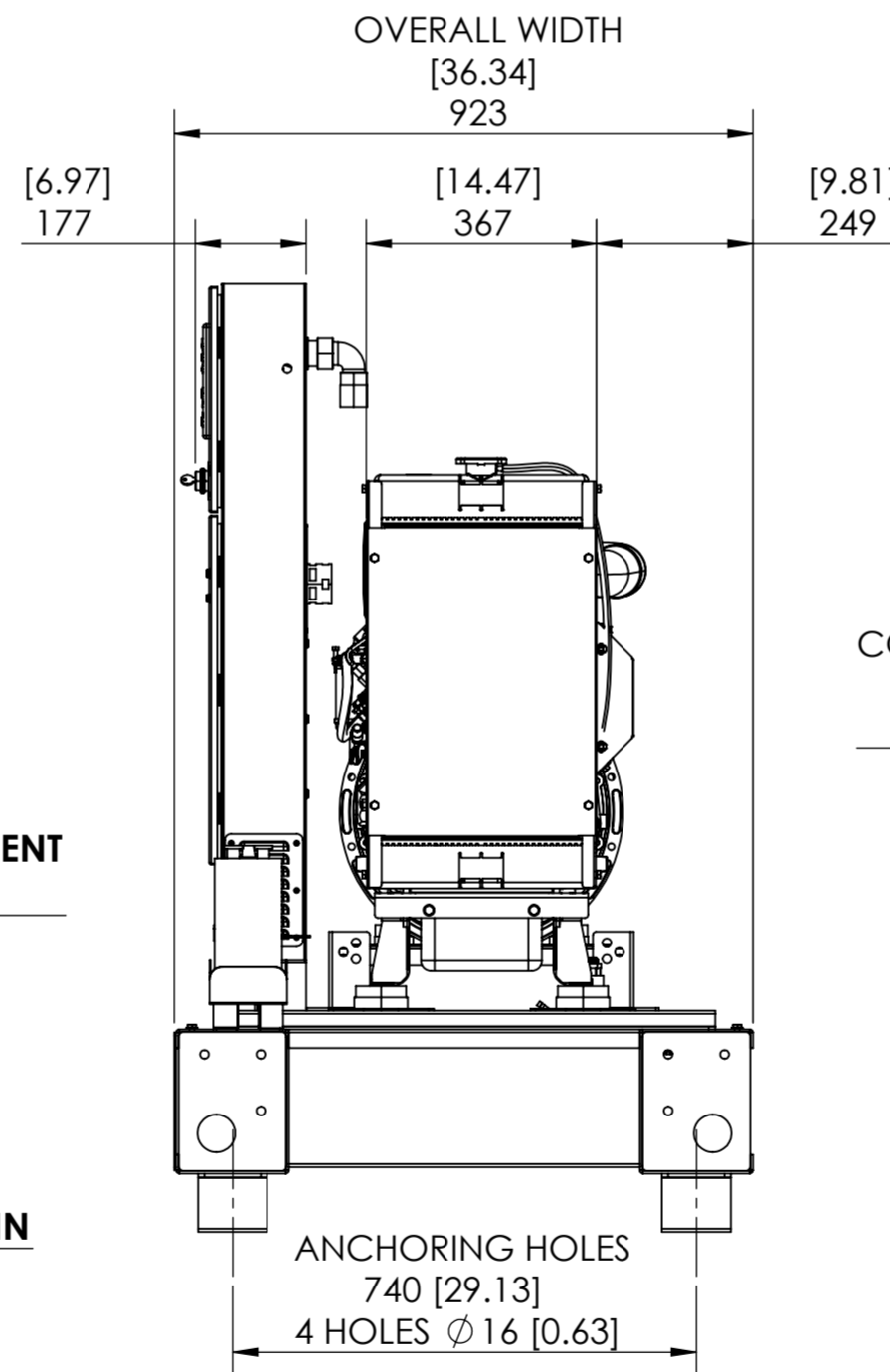
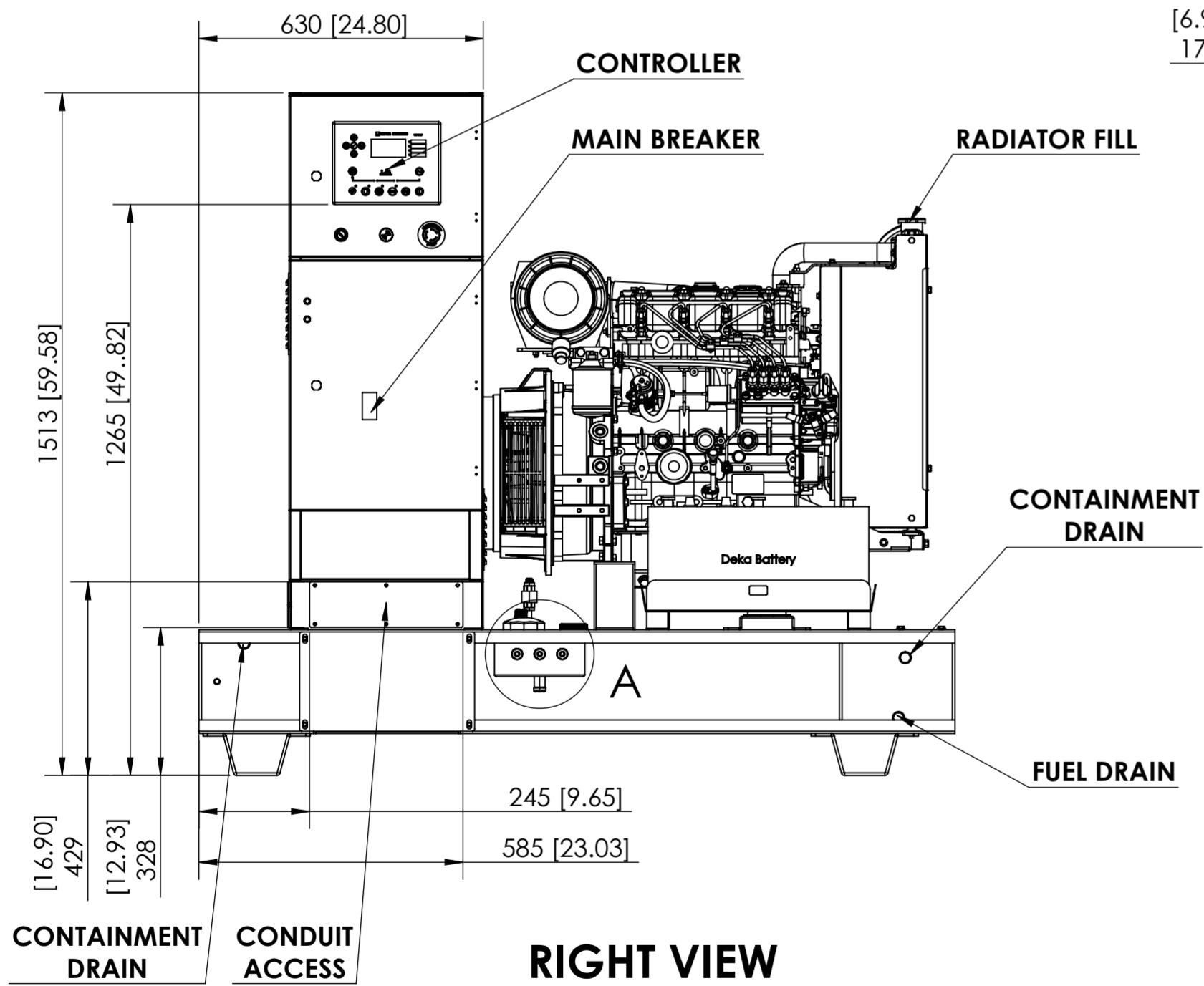
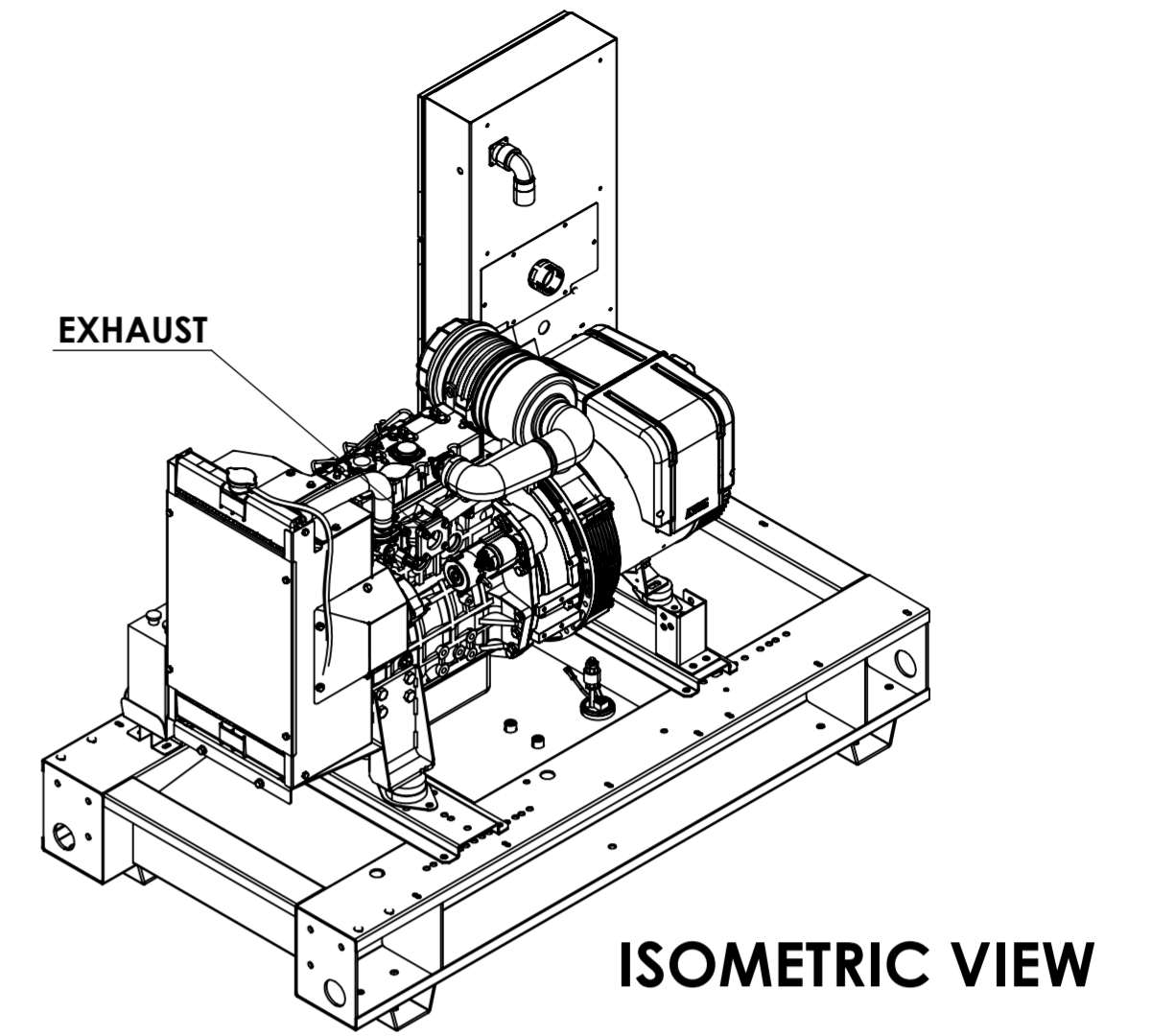


**NOTE:**  
A: EXTERNAL OIL DRAIN  
B: EXTERNAL FUEL SUPPLY (OPTION)  
C: EXTERNAL FUEL RETURN (OPTION)



Material:		This drawing and any information or descriptive material set out on it are the confidential and copyright property of General Power Limited Inc. and MUST NOT BE DISCLOSED, COPIED, LOANED in whole or part or used for any purpose without the written permission of General Power Limited Inc.		Description: GP-3029-I-V2-P20-60E4i OPEN SKID	
Finish:		Document Type:		Drawn by:	
Unless Otherwise Stated: Linear Tol.: $\pm 0.2$ Angular Tol.: $0^{\circ}15'$ Surface Finish: $0.8\mu m$ All Dimensions: mm		Company Confidential		Checked/Approved by:	
Drawing Scale: 1:20		Legal Owner: General Power Limited Inc. 9930 NW 21 St Street Miami Florida 33172 USA		Checked/Approved Date:	
Approx Weight: Kg		Projection Method: THIRD ANGLE		Part Number:	
Drawing Produced In Accordance With: ASME/ANSI Y14.5-M-1994		Sheet Size: A2		Drawing Number:	
Sheet Size: A2		www.genpowerusa.com		Sheet: 1 of 1	
Revision:		Revision:		Revision:	