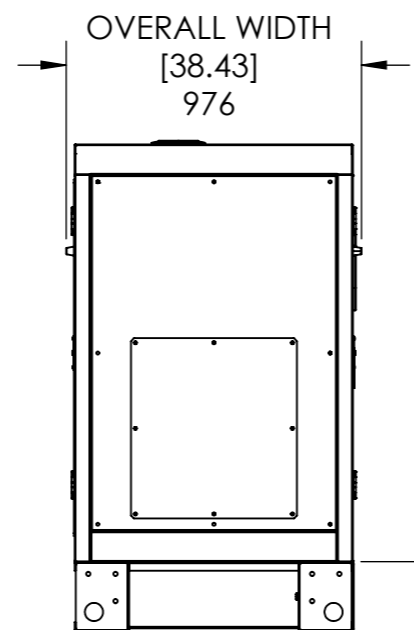
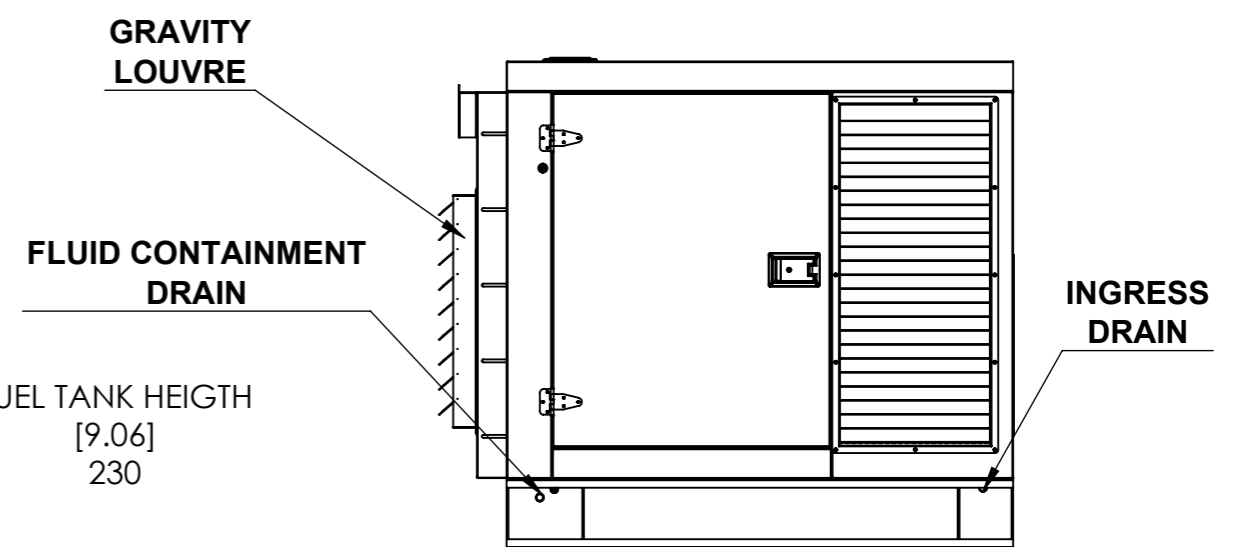


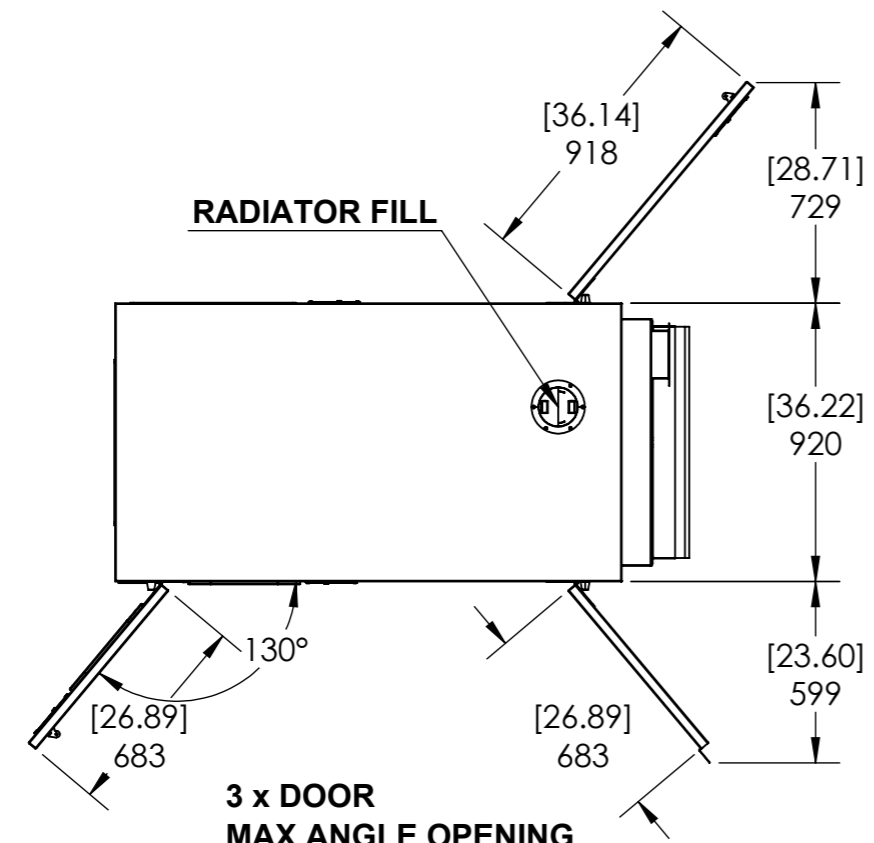
RIGHT SIDE VIEW



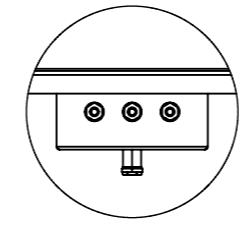
BACK VIEW



LEFT SIDE VIEW

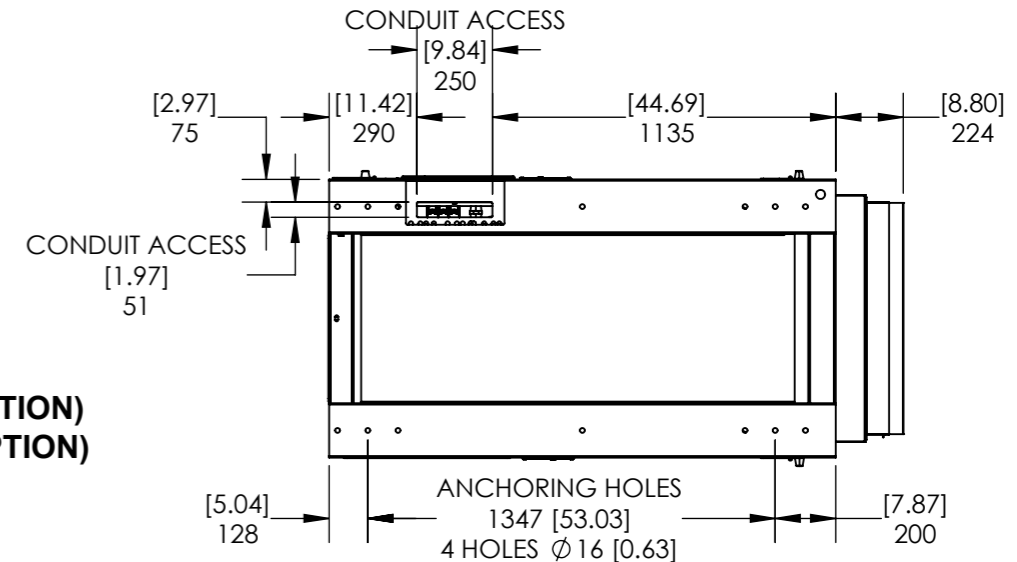


TOP VIEW



DETAIL A SCALE 1 : 10

NOTE:
A: EXTERNAL OIL DRAIN
B: EXTERNAL FUEL SUPPLY (OPTION)
C: EXTERNAL FUEL RETURN (OPTION)



BOTTOM VIEW

Material:		This drawing and any information or descriptive material set out on it are the confidential and copyright property of General Power Limited Inc. © and MUST NOT BE DISCLOSED, COPIED, LOANED in whole or part or used for any purpose without the written permission of General Power Limited Inc.	Description: GP-3029-I-V2-COMPACT ENCLOSED	
Finish:			Drawn by:	Drawn Date:
Unless Otherwise Stated: Linear Tol.: ±0.2, Angular Tol.: 0°15' Surface Finish: 0.8µm All Dimensions: mm			Checked/Approved by:	Checked/Approved Date:
Drawing Scale: 1:25			Company Confidential	
Approx Weight: Kg	Drawing Produced In Accordance With: ASME/ANSI Y14.5-M-1994	Legal Owner: General Power Limited Inc. 9930 NW 21 St Street Miami Florida 33172 USA		
Projection Method: THIRD ANGLE	Sheet Size: A3	Part Number:		
1-800-763-0359 www.genpowerusa.com		Drawing Number:	Sheet: 1 of 1	
		Revision:		