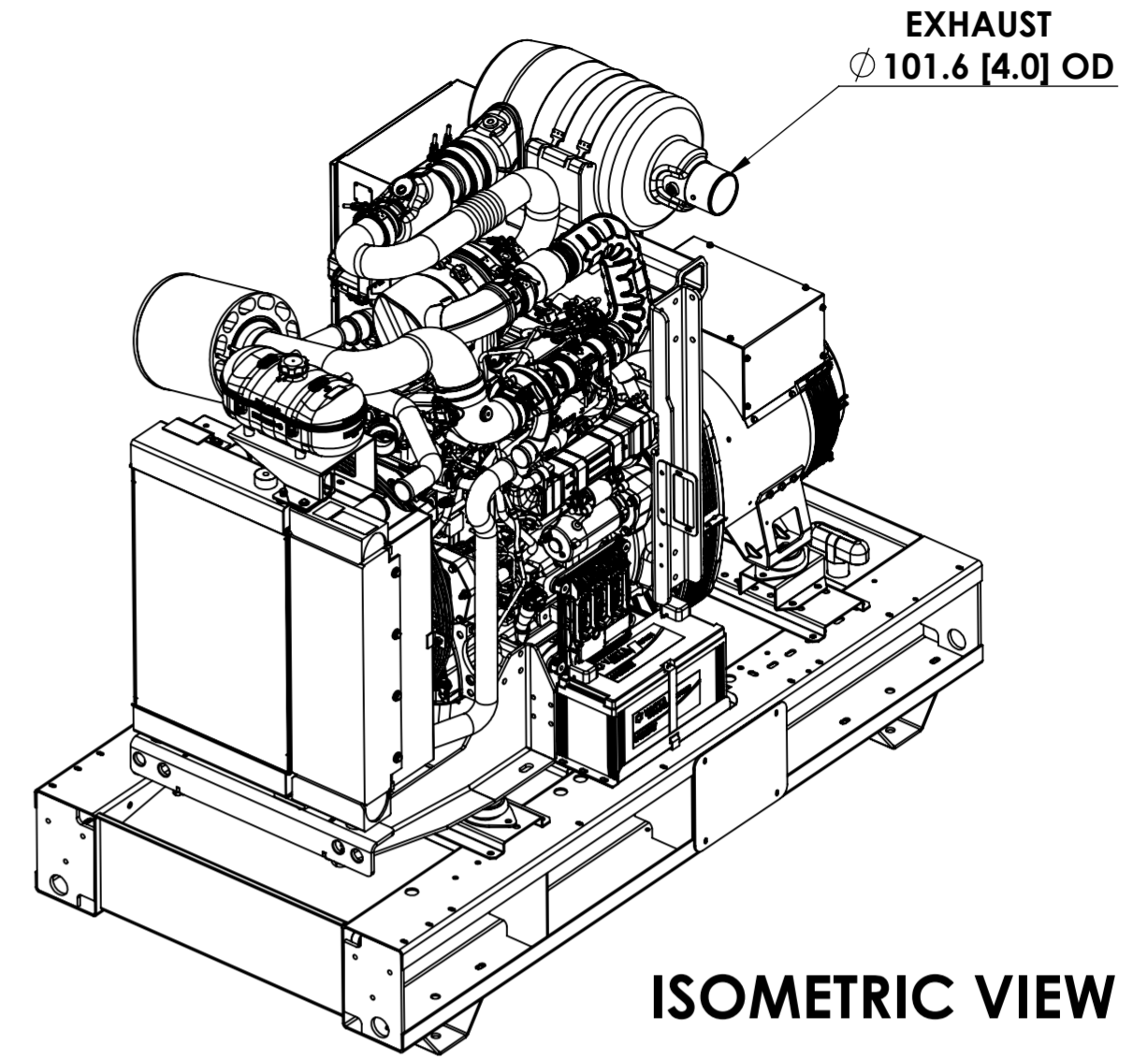
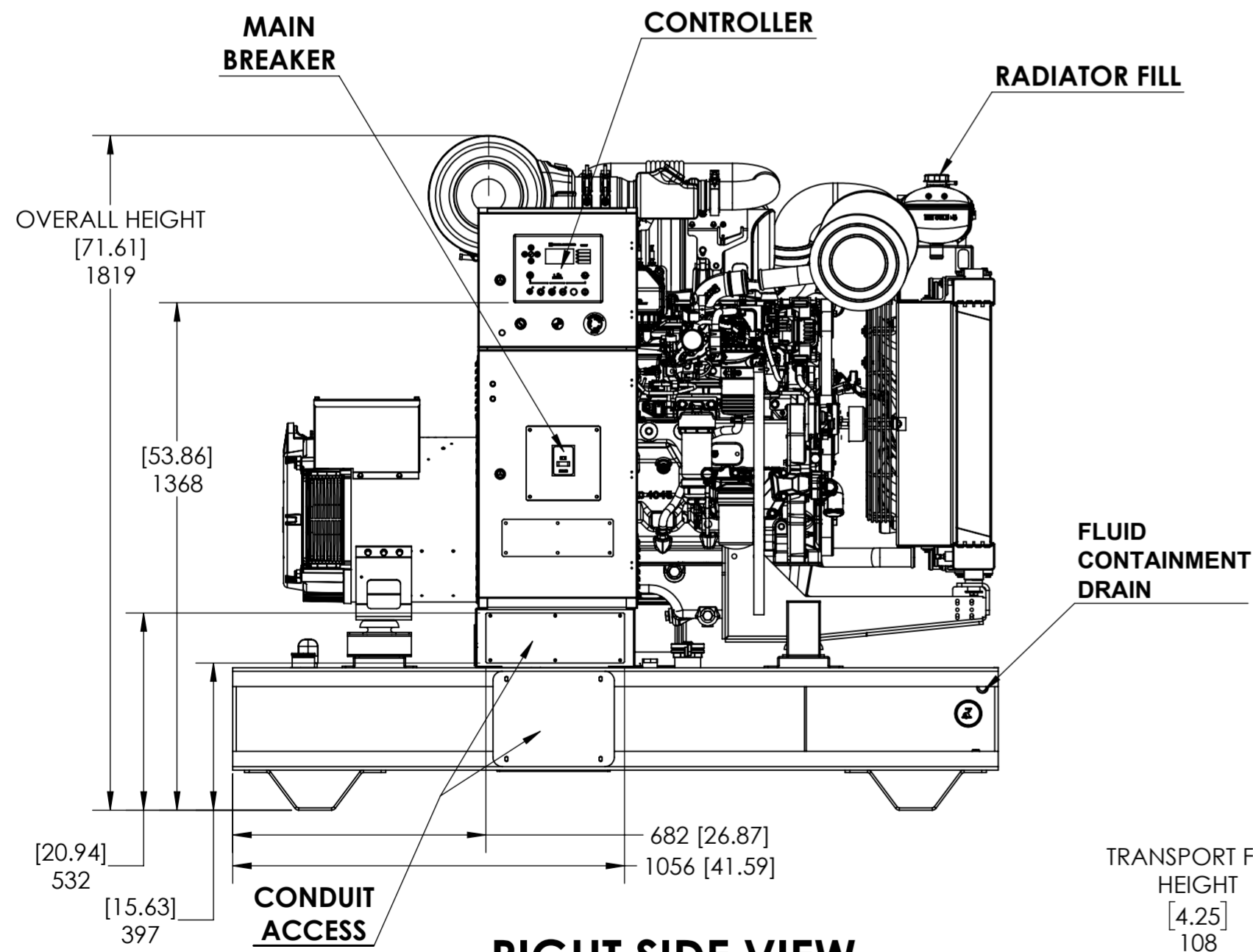


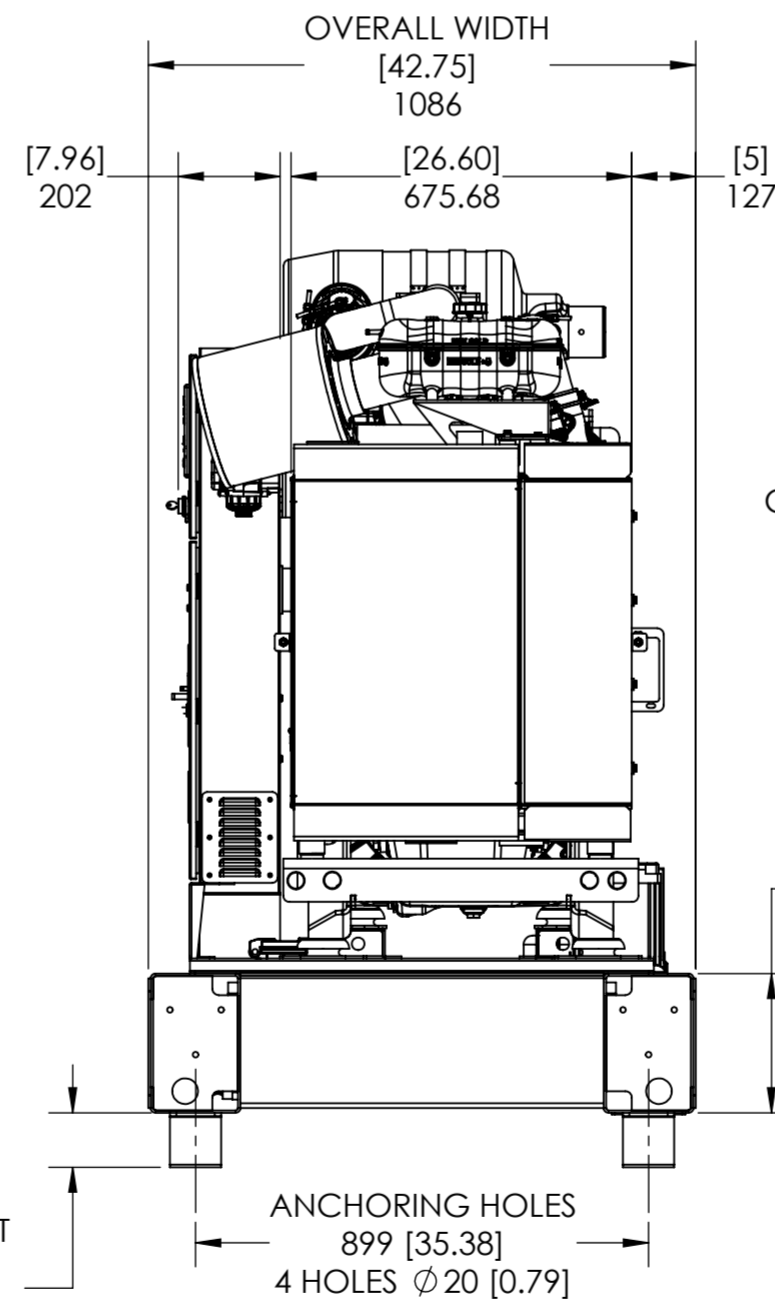
TOP VIEW



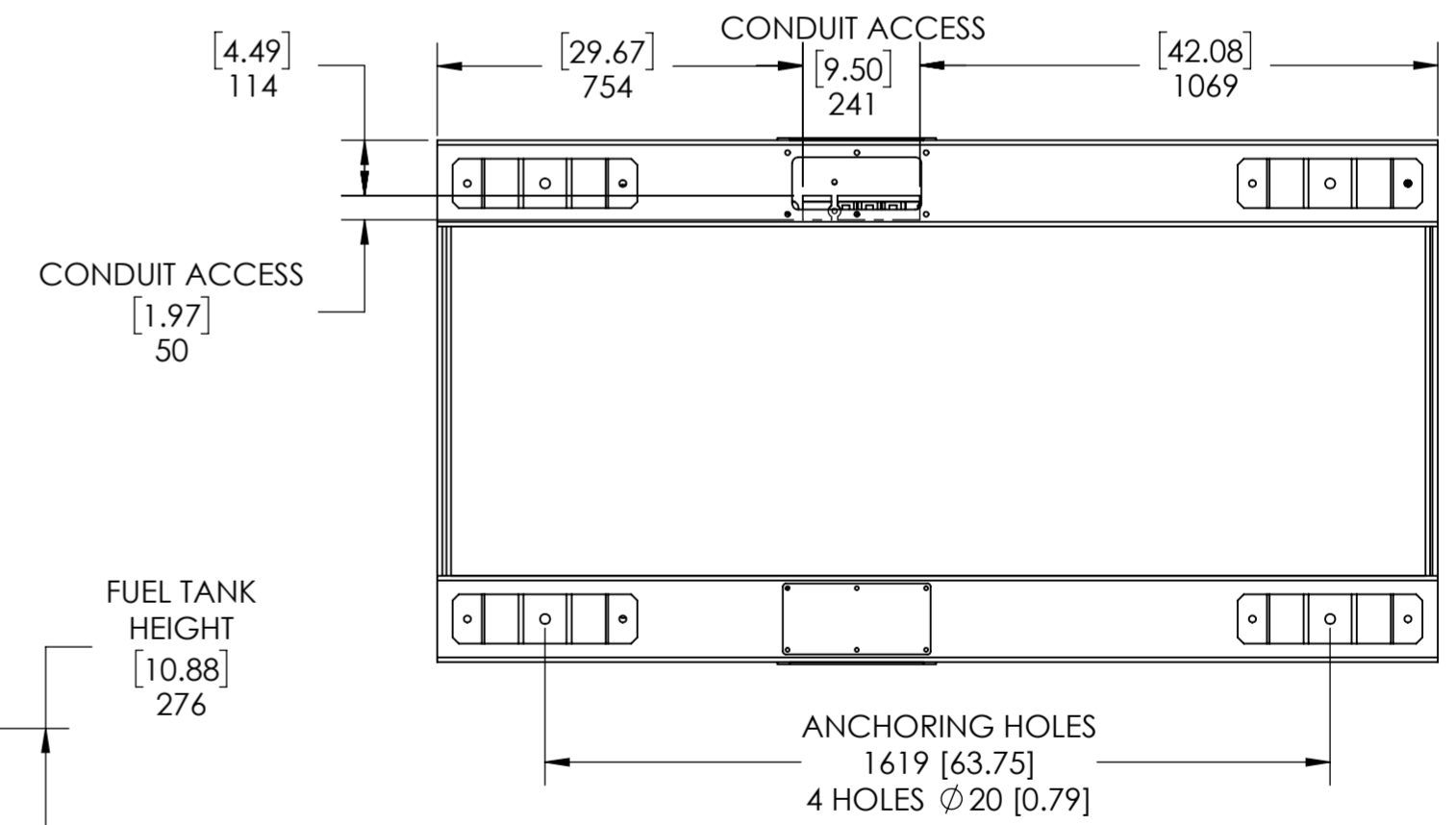
ISOMETRIC VIEW



RIGHT SIDE VIEW



FRONT VIEW



BOTTOM VIEW

Material:	This drawing and any information or descriptive material set out on it are the confidential and copyright property of General Power Limited Inc. and MUST NOT BE DISCLOSED, COPIED, LOANED in whole or part or used for any purpose without the written permission of General Power Limited Inc.		Description: GP-4045-I-V2-GP-J85-6014F +TANK-60-GAL-2W-UL OPEN SKID
Finish:	Drawing Scale: 1:20		Drawn by: JCB Drawn Date: 12-23-2019
Unless Otherwise Stated: Linear Tol.: +0.2 Angular Tol.: 0°15' Surface Finish: 0.8μm All Dimensions: mm	Document Type: Company Confidential		Checked/Approved by: _____ Checked/Approved Date: _____
Approx Weight: Kg	Drawing Produced In Accordance With: ASME/ANSI Y14.5-M-1994	Legal Owner: General Power Limited Inc. 9930 NW 21 St Street Miami Florida 33172 USA	Part Number: _____
Projection Method: THIRD ANGLE	Sheet Size: A2	1-800-763-0359 www.genpowerusa.com	Drawing Number: _____ Sheet: 1 of 1 Revision: _____